

CPCI-WLAN

IEEE 802.11b WLAN Interface

- IEEE 802.11b
- 2.4 GHz ISM band
- 512 Kbyte data buffer for access point applications (option)
- wide operating system support

CompactPCI board

The CPCI-WLAN is a CompactPCI board in 3U format. It is equipped with a WaveLAN chipset from Agere that is designed to realize compact WLAN solutions with approved and calibrated components compliant to regulatory standards.

Wireless MAC IC

The WL60010 supports the interface between the PCI bus and the PHY module. It offers full implementation of the MAC protocol specified in IEEE 802.11-1999 including IEEE 802.11b standard data rates. For additional data buffering in access point application the WL60010 can access an optional external 512 Kbyte SRAM.

IEEE 802.11b PHY

The physical interface for the WLAN is realized with a WL1141. It comprises a baseband processor, a 2.4 GHz radio (including front end) and an EEPROM for radio calibration data.

The module is equipped with a reverse SMA antenna connector at the front panel. To improve the Rx signal reception an additional auxiliary antenna can be connected.

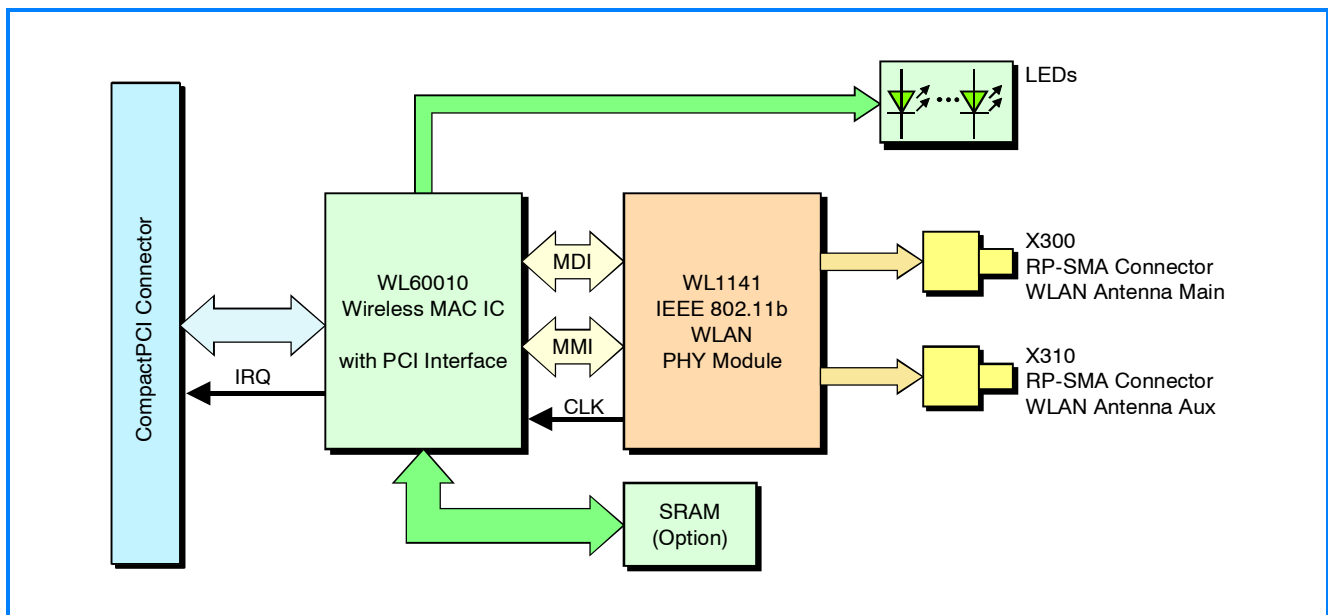


LED Display

Four LEDs in the front panel display the board status.

Software Support

Drivers are available for Linux 2.4.2x, Windows 98 SE, Windows ME, Windows 2K (from SP2 on) and Windows XP for free at the Agere Web site for free. A VxWorks driver is available from esd.



Technical Specifications:

CompactPCI interface:	
Controller:	Agere WL60010, option: 512 Kbyte SRAM
Standard, IRQ:	PCI Specification 2.2, IRQ A
Signal conditions:	32-bit transfers at 33 MHz, 3.3 V or 5 V
Power supply:	3.3 V supply voltage only
WLAN interface:	
PHY module:	Agere WL1141
Specification:	IEEE 802.11b
Radio frequency:	2.4 GHz ISM band
Raw data rates:	11 Mbit/s, 5.5 Mbit/s, 2 Mbit/s and 1 Mbit/s
Antenna :	antenna diversity mode, auxiliary antenna to improve Rx signal reception

General:	
Ambient temperature:	-20 °C ... +85 °C
Humidity:	max. 90 %, non-condensing
Connectors:	1x reverse polarity (RP) SMA connector (male) for standard WLAN antenna, + 1x RP-SMA connector (male) for auxiliary antenna
Order information:	
Designation	order no.
CPCI-WLAN	IEEE 802.11b WLAN interface 1.2314.02
CPCI-WLAN-VxW	VxWorks driver object licence 1.2314.31