

CPCI-ETH

10/100BaseT-ETHERNET Interface



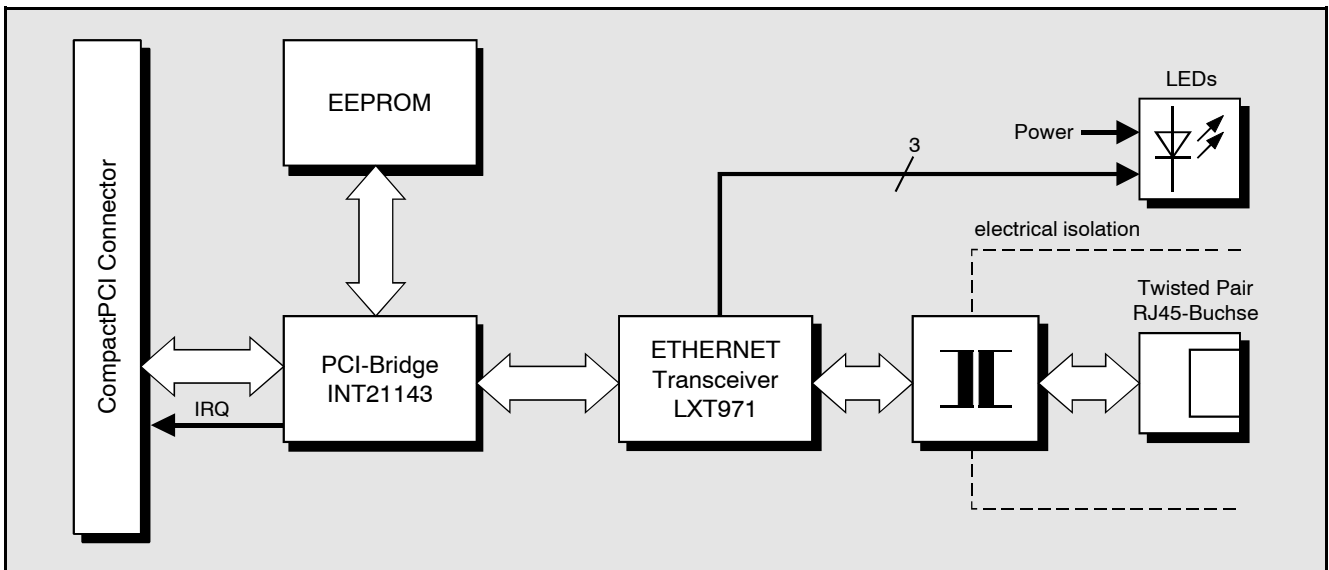
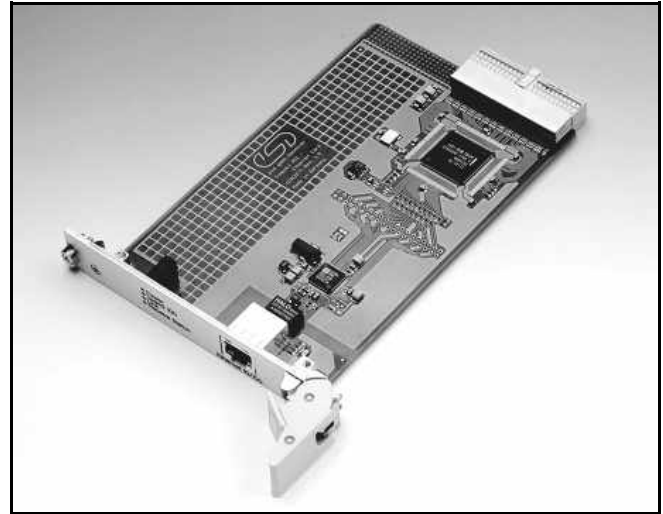
- IEEE802.3 interface for CompactPCI
- standard ETHERNET driver

Compact Solution

The module CPCI-ETH is a CompactPCI board in euro format. It is equipped with the PCI bridge INT21143 with an integrated MII-interface. The physical layer is realized with an ETHERNET transceiver which also controls three status LEDs in the front panel. The interface is IEEE802.3 conform. For connection a shielded RJ45 modular jack is used.

Software Support

The board runs with the standard system drivers of Windows95/98, Windows NT/2000, Linux as well as VxWorks and QNX for ETHERNET interfaces.



Technical Specifications:

CompactPCI interface:	
PCI bridge:	INT21143
ETHERNET:	
Controller:	INT21143
Transceiver:	LXT971
Physical layer:	acc. to IEEE 802.3 (10/100 BaseT)
General:	
Ambient temperature:	0...50 °C
Humidity:	max. 90 %, non-condensing
Dimensions:	3 U board (100 mm x 160 mm)
Connectors:	10/100BaseT: RJ45 CPCI: according to PICMG 2.0 R3.0

Order information:		
Designation		order no.
CPCI-ETH	IEEE802.3 interface board	I.2304.02
CPCI-ETH-ME	English user's manual	I.2304.21