

CPCI-CF-USB

CompactFlash Slot with USB Interface

- CompactFlash card reader/writer
- USB interface
- hot pluggable
- extended temperature range
- Designed for CompactPCI rack installation

CompactFlash Card Interface

The CPCI-CF-USB module is a CF-reader/writer for type I or type II CompactFlash cards with ejector. It supports the IDE card interface that is usually used for memory cards.

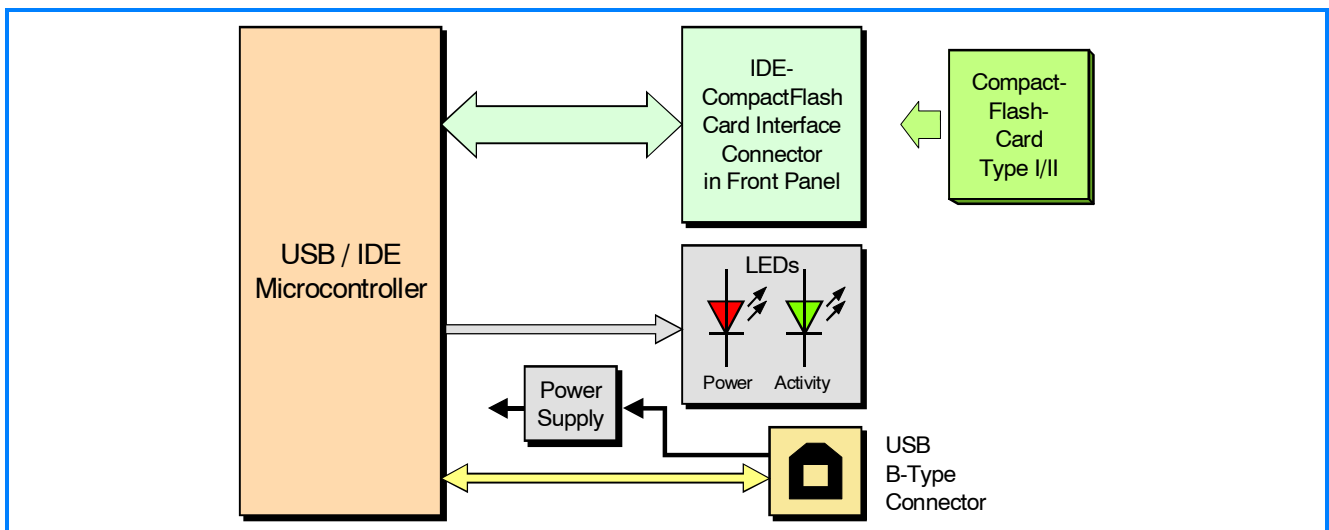
The system interface is realized as an USB interface with USB type B connector. The modules power feed is taken from the USB 5V- power line. There is no additional power feed necessary. An USB connection cable is contained in the scope of delivery.

CompactPCI System Compatible

The CPCI-CF-USB module is designed to fit in a 3 U CompactPCI bus system rack. It is equipped with a 4 HP-wide shielded aluminium front panel and solid handles for easily mounting in the rack. Of course the module can be installed in each 3 U 19" system rack, not only CPCI-systems!

Software Support

The access to the CompactFlash card is possible with the standard system drivers of VxWorks, Linux and Windows 2000/XP supporting also hot pluggability. No additional drivers are necessary.



Technical Specifications:

CompactFlash interface:	
Interface:	according to CompactFlash™ specification, hot pluggable
Card types:	type I and type II card holder with ejector
Power supply:	3.2 V, max. 400 mA

Microcontroller and USB interface:	
Microcontroller:	Atmel AT89C5132-ROTIL
USB-controller:	USB 1.1
USB bit rate:	12 Mbit/s
LED display:	CompactFlash card access: green LED, Power supply OK: red LED

General:	
Ambient temperature:	-40 °C ... +75 °C
Humidity:	max. 90 %, non-condensing
Operating voltage:	5 V (USB power line)
Connectors:	CompactFlash type I, II USB type B female connector
Board dimensions:	3 U height, 4 HP width

Order information:		
Designation		order no.
CPCI-CF-USB	CompactFlash interface card type I, II	I.2317.02