

# CPCI-CAN/200

## Passive CompactPCI-CAN-Interface

- low cost CompactPCI-CAN interface
- 3 U board
- extended temperature option

### CAN Interface

The ISO 11898 compliant CAN interface allows a data transfer rate of 1 Mbit/s. Among many other features, the bit rate can be set by software. The CAN interface is electrically isolated from the other potentials by optocouplers and DC/DC converters.

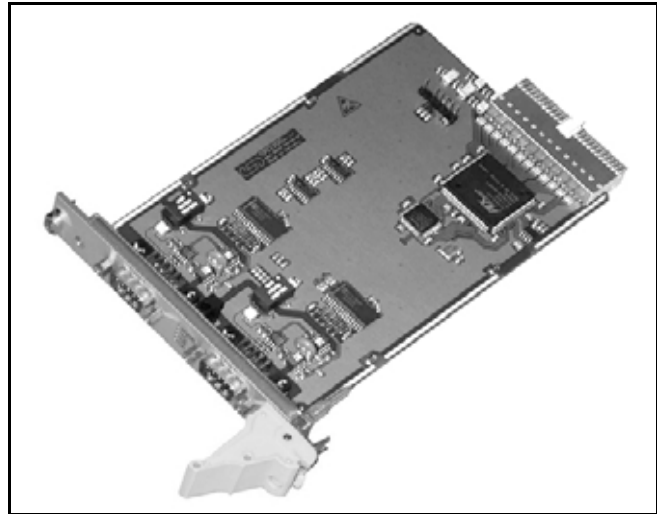
### Software Support

Software drivers are available for Windows NT/2000/XP and Windows 9x/ME. Drivers for other operating systems are available as well.

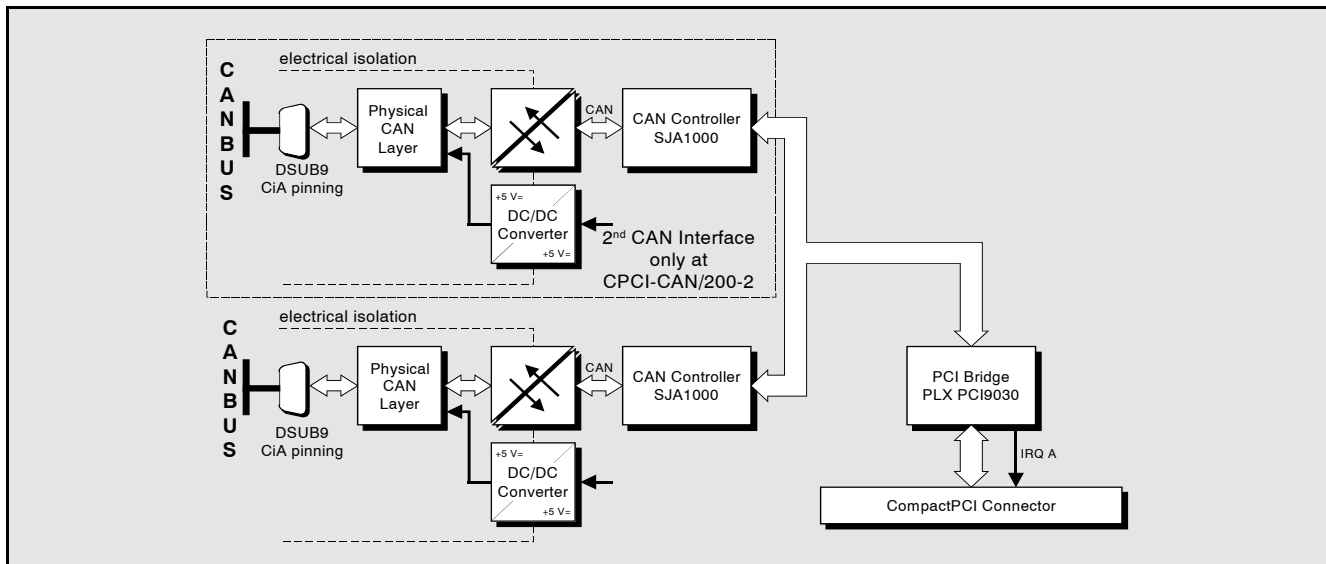
Like all low cost CAN PC boards there are restrictions in comfort and data reliability with the CAN-PCI/200 due to the simple design of these boards.

A reception without data loss can not be guaranteed in these designs, because it depends on the bit rate, the performance and the operating system of the host CPU.

### CAN Protocol



Software package available for CANopen.



### Technical Data:

CompactPCI interface and microcontroller:	
PCI bridge:	PCI9030
CAN:	
CAN controller:	SJA1000, CAN 2.0A/B
CAN interface:	differential, electrically isolated, 1 Mbit/s, ISO11898
General:	
Ambient temperature:	0...50 °C
Humidity:	max. 90 %, non-condensing
Supply voltage:	3.3 V, 5 V
Connector:	CAN: 9-pole DSUB (male)

Order information:		
Designation		order no.:
CPCI-CAN/200-1B	1x CAN, ISO11898	C.2035.02
CPCI-CAN/200-2B	2x CAN, ISO11898	C.2035.04
CPCI-CAN/200-2-T	2x CAN, extended temp. range	C.2035.06
CAN-DRV-LCD	Object licence for Windows and Linux incl. CD-ROM	C.1101.02
CPCI-CAN/200-Co	CANopen m/s object licence	C.2035.12
CPCI-CAN/200-FP6	6U front panel	C.2035.30