

CAN-USB

CAN-USB Mini-Interface

- CAN-network at USB (Universal Serial Bus)
- Power supply by USB
- ALU-micro case

Powerful CAN-Interface for PC

The CAN-USB module is an intelligent CAN-interface with a MB90F543 microcontroller for the local management of CAN-data. Security and consistency of data is guaranteed up to 1 Mbit/s.

CAN-Interface

The ISO 11898-compliant CAN-interface allows a data-transfer rate of a maximum of 1 Mbit/s. The bit rate, like many other features of the CAN-interfaces, can be set by software. The CAN-interface is electrically isolated from other potentials by means of optocouplers and DC/DC-converters.

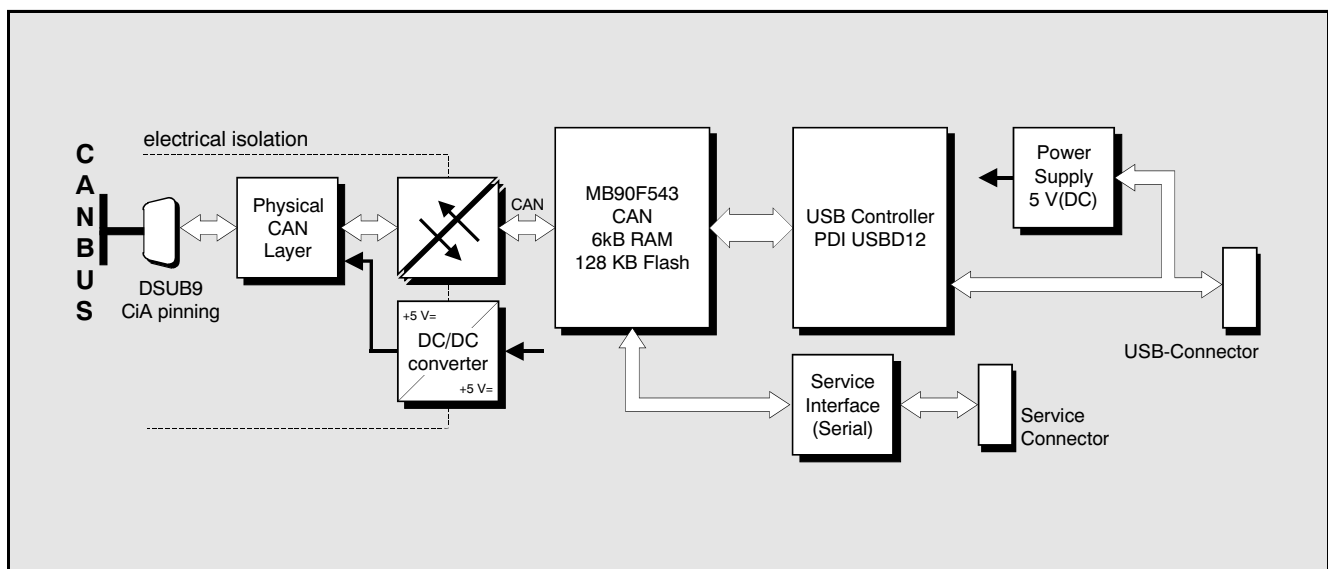
Software Support

The CD comes with WDM-drivers for Windows 2000/XP, Windows 98/ME and Linux. Drivers for other operating systems are available on request. The firmware can be loaded from the PC into the flash EPROM.



CAN-Protocols

A software package for CANopen is available for Windows 2000, Windows 98/ME and Linux systems.



Technical Specifications:

USB-interface and microcontroller:	
USB-controller:	PDI USB D12, bit rate 12 Mbit/s
Microcontroller:	MB90F543
Memory:	3 k x 16 bit SRAM, 64 k x 16 bit Flash EPROM
CAN:	
CAN-controller:	MB90F543, CAN 2.0A/B
CAN-interface:	differential, electrically isolated, 1 Mbit/s, ISO11898
General:	
Case dimensions:	approx.. 55 x 55 x 25 mm
Weight:	70 g
Ambient temperature:	0...50 °C
Supply voltage:	via USB: 5V
Connectors:	CAN: 9-pole DSUB (male)

Order information:		
Designation:		order no.
CAN-USB-Mini	1x CAN, ISO11898	C.2064.02
CAN-DRV-LCD	Object licence for Windows and Linux incl. CD-ROM	C.1101.02
CAN-USB-ME	Hardware manual	C.2064.21
CAN-API-ME	Software manual CAN-API	C.2001.21