

DN-PC104/331 Intelligent PC/104 to DeviceNet Interface

- interface from PC to one or two independent DeviceNet channels for PC/104
- microcontroller 68331 on board

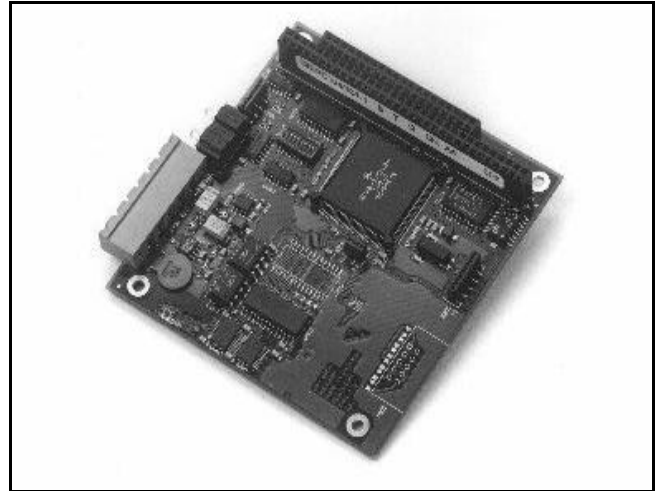
Powerful DeviceNet Interfaces for PCs

The module DN-PC104/331 is a 16-bit board designed for the PC/104 bus. It uses a 68331 microcontroller, which cares for the local DeviceNet data management. Data is stored in the local SRAM.

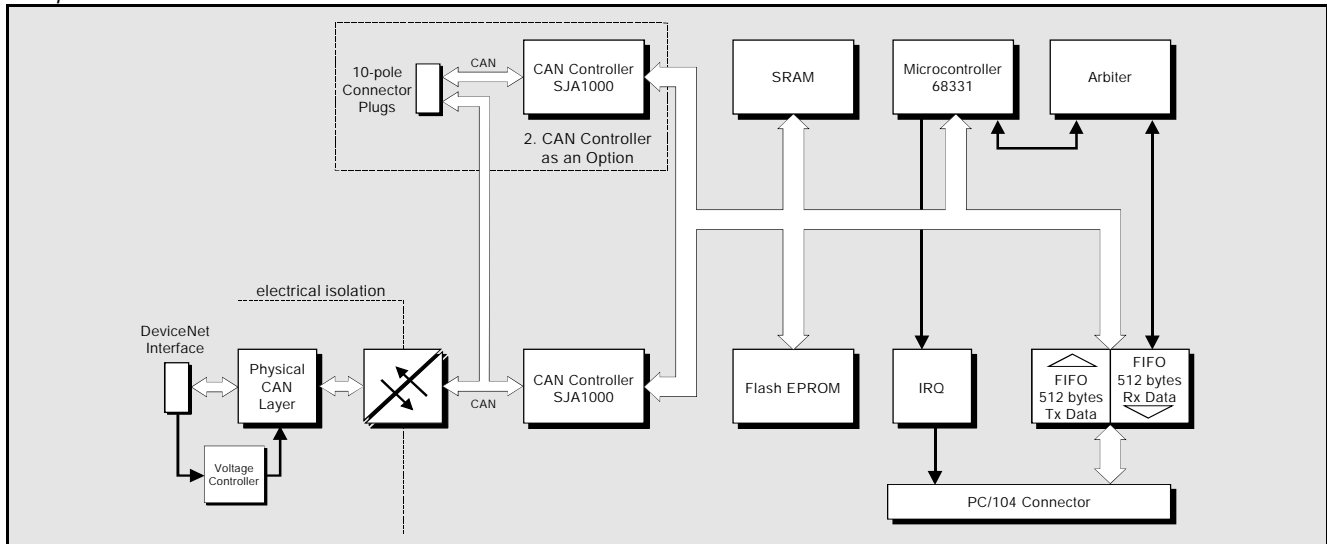
The DeviceNet interface of the board meets the requirements of the DeviceNet specification 2.0. The interface is electrically isolated from the other potentials by means of optocouplers. The board can be ordered with a local connector or with a small adapter board for fixing in the case's panel for easier access from outside. Additionally a second DeviceNet interface (including second CAN controller) can be ordered.

Software Support

The board comes with DeviceNet firmware on-board. Software examples in source code for DOS and Windows 3.11 are included. Moreover, software drivers are available for Windows NT and VxWorks. The Windows NT driver is contained in kernel mode and is multi processor conform.



Drivers for other operating systems are available as well. The firmware can be loaded from the PC into the Flash EPROM.



Technical Specifications:

PC/104 interface and microcontroller:

PC/104 interface: data: IN/OUT FIFOs (512 bytes each), IRQ: 1 of 12

Microcontroller: 68331

Memory equipped: 128 k x 16 bit SRAM,
128 k x 8 bit Flash EPROM

CAN bus:

CAN controller: SJA1000, CAN 2.0A/B

DeviceNet interface: differential, electrically isolated, available bit rates: 125 kbit/s, 250 kbit/s and 500 kbit/s

Option: second CAN controller and additional (external) DeviceNet interface

General:

Temperature: 0...50 /C

Supply voltage: 5 VDC

DeviceNet connector: 5-pole combicon-style connector

Order information:

Designation		order no.:
DN-PC104/331-1	PC/104 board with one DeviceNet channel on board	C.2014.02
DN-PC104/331-1E	PC/104 board with one external DeviceNet interface for fixing in case panel	C.2014.07
DN-PC104/331-2E	same as C.2014.07, but two external DeviceNet interfaces	C.2014.08
Options:		
DN-PC104/331-NT	Windows NT device driver	C.2014.11
DN-PC104/331-VxW	VxWorks driver for PC object licence	C.2014.55
DN-PC104/331-ME	Manual for C.2014.02 ... 08 C.2014.11 and C.2014.55	C.2014.21