

CAN-CBX-CPU5200

Compact PLC with InRailBus for CBX-I/Os

- PowerPC™ MPC5200 with FPU
- 10/100BaseT ETHERNET
- 2x CAN & 1x RS-232 interface
- CoDeSys programming system (option)
- InRailBus
- DIN rail mounting (EN50022)

PowerPC™ Device

The CAN-CBX-CPU5200 is a stand-alone PowerPC™ module with InRailBus. As CANopen master it supports the mounted CBX-modules.

InRailBus

The power supply and the CAN bus signals can be applied via the InRailBus connector (TBUS-connector) integrated in the mounting rail or separately via the clamp-connection. From the InRailBus individual modules can be removed without interrupting the bus signals.



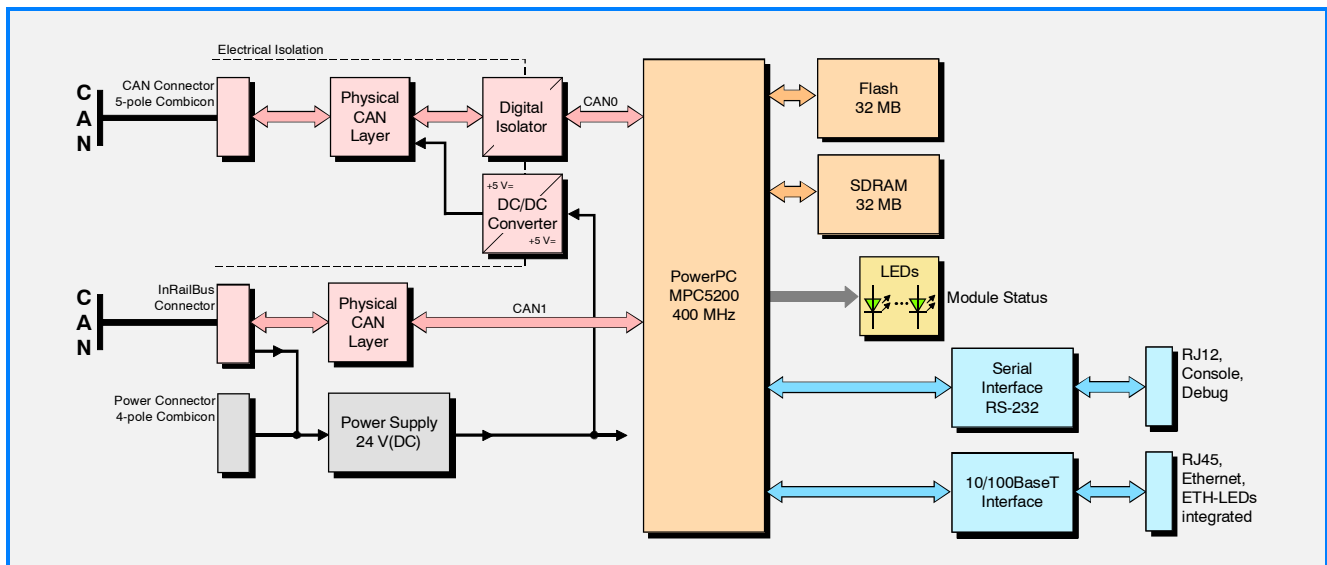
Network Interfaces

The CAN-CBX-CPU5200 comes with a 10/100BaseT ETHERNET interface that is accessible via an RJ45 plug in the front. The two CAN interfaces of the CAN-CBX-CPU5200 are designed according to ISO11898 and support bit rates up to 1 Mbit/s. One CAN interface is electrically isolated and is accessible via a 5-pole Phoenix Combicon-style connector. The other one is connected to the InRailBus for local CBX-I/O expansion.

A serial RS-232 interface for terminal and debugging is accessible via an RJ12 connector.

Software Support

With the IEC61131-3 programming and runtime system CoDeSys the CAN-CBX-CPU5200 acts like a PLC. Please ask for our CoDeSys flyer. Optional Linux can be used as operating system.



Specifications:

Microcontroller and Memory:

Microcontroller: MPC5200, 400 MHz, FPU
 Memory equipped: 32 MB DRAM, 32 MB Flash, RTC

Interfaces:

ETHERNET: 10/100 BaseT, IEEE802.3, RJ45-connector
 Serial: RS-232, 115 kbit/s
 Two: both acc. to ISO11898, differential with bit rates up to 1 Mbit/s, one interface electrically isolated at Combicon connector, the other one connected to InRailBus
 CAN interfaces:

General:

Ambient temp.: 0 ... +70 °C
 Power supply: nominal 24 VDC
 Dimensions: 22 x 112 x 113 mm
 Connectors: Power: Phoenix MSTBO2,5/4-G1LKMGY
 CAN: Phoenix MC1,5/5-GF-3.81, InRailBus
 RS-232: RJ12
 ETHERNET: RJ45

Order information:

Designation	order no.
CAN-CBX-CPU5200-PLC	PowerPC 5200, 400 MHz, C.3070.02 FPU, 32 MB DRAM, 32 MB Flash, RTC, 10/100 BaseT ETHERNET, RS-232 interface, 2x CAN interface, ISO11898, PLC Runtime system: CoDeSys, IEC61131
CAN-CBX-CPU5200-Linux	as C.3070.02, but for Linux operating system C.3070.03
CAN-CBX-CPU5200-Linux Adaption	Linux Adaption for CAN-CBX-CPU5200 (option) C.3070.32